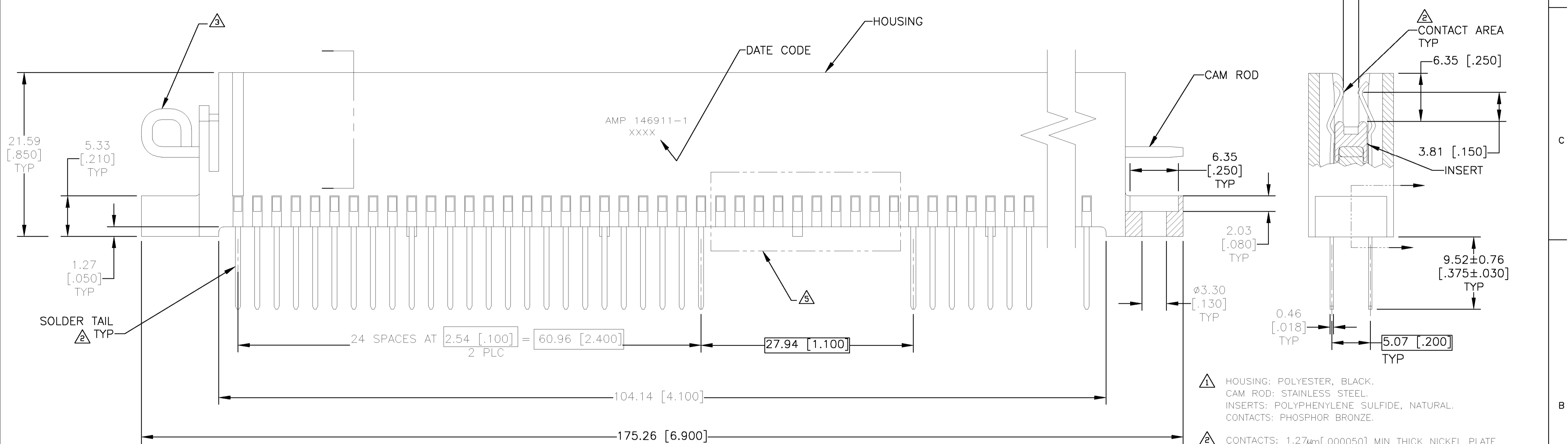
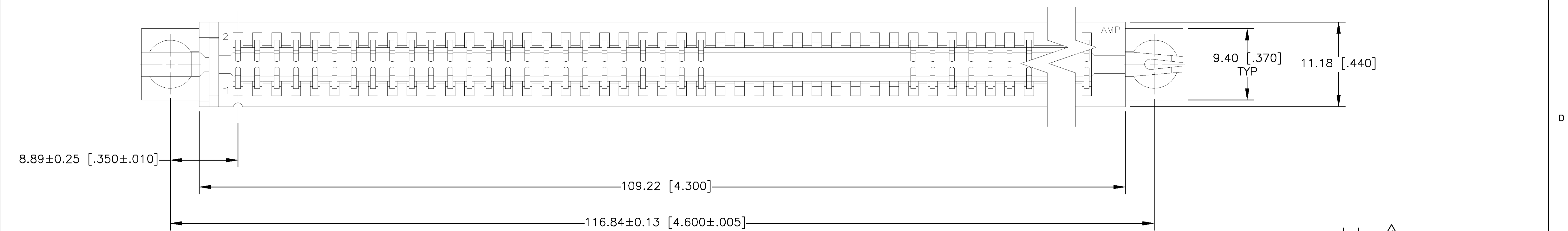
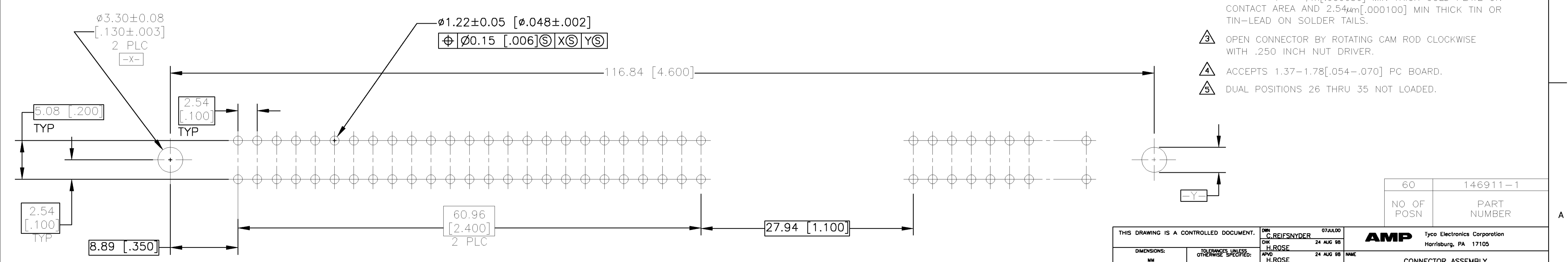


THIS DRAWING IS UNPUBLISHED. RELEASED FOR PUBLICATION  
 © COPYRIGHT BY TYCO ELECTRONICS CORPORATION. ALL RIGHTS RESERVED.

LOC		DIST		REVISIONS			
AD	14	REV	PER	DESCRIPTION	DATE	BY	APPD
A		REV	PER	OG3C-0285-00	06JUL00	BH	MM



- 1 HOUSING: POLYESTER, BLACK.  
CAM ROD: STAINLESS STEEL.  
INSERTS: POLYPHENYLENE SULFIDE, NATURAL.  
CONTACTS: PHOSPHOR BRONZE.
- 2 CONTACTS: 1.27µm[.000050] MIN THICK NICKEL PLATE ALL OVER, 0.76µm[.000030] MIN THICK GOLD PLATE ON CONTACT AREA AND 2.54µm[.000100] MIN THICK TIN OR TIN-LEAD ON SOLDER TAILS.
- 3 OPEN CONNECTOR BY ROTATING CAM ROD CLOCKWISE WITH .250 INCH NUT DRIVER.
- 4 ACCEPTS 1.37-1.78[.054-.070] PC BOARD.
- 5 DUAL POSITIONS 26 THRU 35 NOT LOADED.



60	146911-1
NO OF POSN	PART NUMBER

THIS DRAWING IS A CONTROLLED DOCUMENT.		DRW: C. REIFSNYDER 07AUG00	CHK: H. ROSE 24 AUG 98	AMP: H. ROSE 24 AUG 98	NAME: H. ROSE
DIMENSIONS: MM		TOLERANCES UNLESS OTHERWISE SPECIFIED:		PRODUCT SPEC: 108-9048	
0 PLC ± - 1 PLC ± - 2 PLC ± 0.13 [.005] 3 PLC ± - 4 PLC ± - ANGLES ± -		MATERIAL: 1		FINISH: 2	
MATERIAL: 1		WEIGHT: -		SIZE: A1	
CUSTOMER DRAWING		SCALE: 4:1		SHEET: 1 OF 1	